

MPP TONNAGE | DSHIP 12K240

GENERAL INFO

Flag/Home Port	Antigua & Barbuda/St. John's
Owners P&I	Gard
Type	Multi Purpose Heavy Lift Dry Cargo Vessel, strengthened for heavy cargo. TD in all holds.
IMO	Fitted for all classes

CLASSIFICATION

GL + 100 A5 E3, G, IW BWM-F, Solas II Reg. 19.
Machinery: GL + MC E3 AUT

TONNAGE

Dwt	12,782 mt
GT/NT	9,611/4,260

CAPACITY (BALE SPACE)

Cubic meters	15,952 m ³
Cubic feet	563,340 cbft

DIMENSIONS

LOA	138.07 m
LPP	130.00 m
Beam	21.00 m
Depth	11.00 m
Draft	8.00 m

ENGINE

Main engine	MAK 6M43, MCR: 5,400 kW at 500 rpm
Aux. engine	3 x 400/230 Volt at 50 Hz
Diesel generator	395 kW
Emerg. generator	99 kW
Shaft generator	750 kW
Bow thruster	500 kW

SPEED/CONSUMPTION

15.50 kn/25 mt IFO 380 cst/day

TANK CAPACITY

Fuel IFO	948 m ³
Fuel MDO	150 m ³
Freshwater	141 m ³
Ballast	5,000 m ³

HATCHES/HOLDS

Hold 1	18.75 x 15.02 m aft. to 10.06 m fwd. TD position (5.40 m)
Hold 2	42.00 x 17.50 m TD positions (3.25 m/6.00 m/7.40 m)
Hold 3	25.50 x 17.50 m TD position (5.59 m)

GEAR

Crane type	2 NMF cranes of 120 mt SWL each, located port side, combinable to 240 mt SWL
Outreach SWL	120 mt/16 m; 95 mt/19 m; 75 mt/24 m; 55 mt/33 m

PERMISSIBLE LOADS

Tanktop	16 t/m ²
Tweendeck hold	4 t/m ²
Hatchcovers	1.75 t/m ²

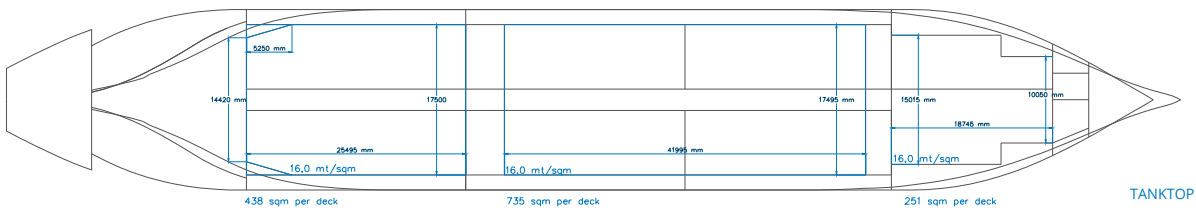
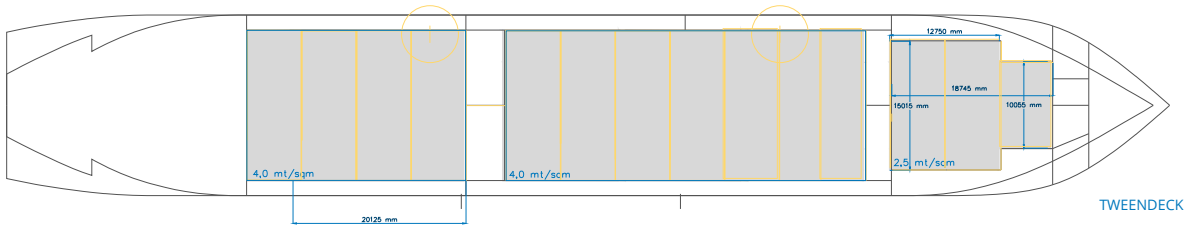
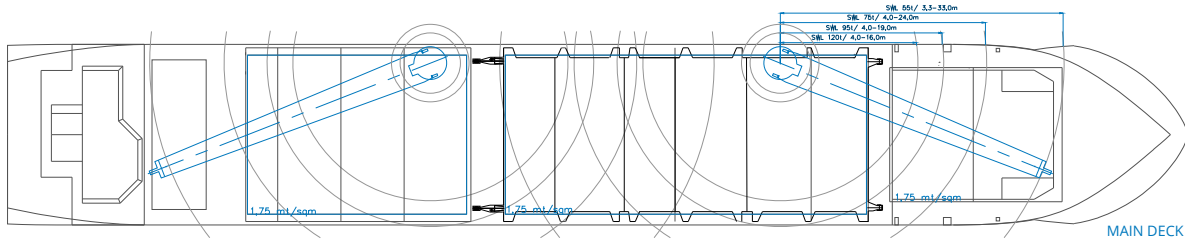
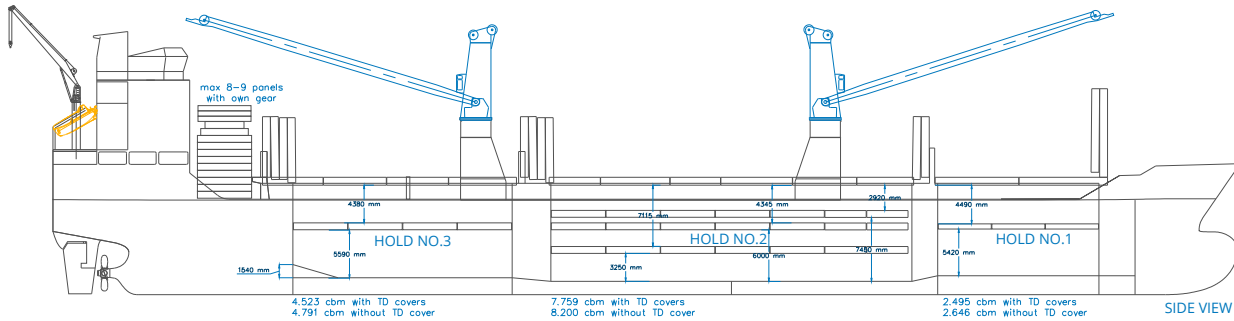
CONTAINERS

Total	665 TEU
On deck	331 TEU
Under deck	334 TEU
Basis 14 mt	534 TEU



NAME	BUILT	IMO NO.	FLAG
Gallia	2006	9358058	Antigua & Barbuda
Helvetia	2005	9261085	Antigua & Barbuda
Holandia	2005	9312169	Antigua & Barbuda

MPP TONNAGE | DSHIP 12K240



HATCHES/HOLDS

Hydraulic hatch covers on all holds.

- Hold 1 two folding covers opening to fwd
- Hold 2 two folding covers opening to fwd, four folding covers opening aft (splittable hatchcovers)
- Hold 3 four multifolding covers opening to aft

REMARKS

- Great Lakes fitted, AMSA fitted, All Cargo holds CO2 fitted
- Hold 1: Sprinkler system
- Hold 2 and 3: 12 air changes per hour

Details given in good faith but without guarantee. Not to be used with charterparties without written authority.

